

# Technical data sheet

Revision 0  
Revision 12/2024

**ECOFIT**

by



Part-number  
**X52-A0-1**

replace U24-D3

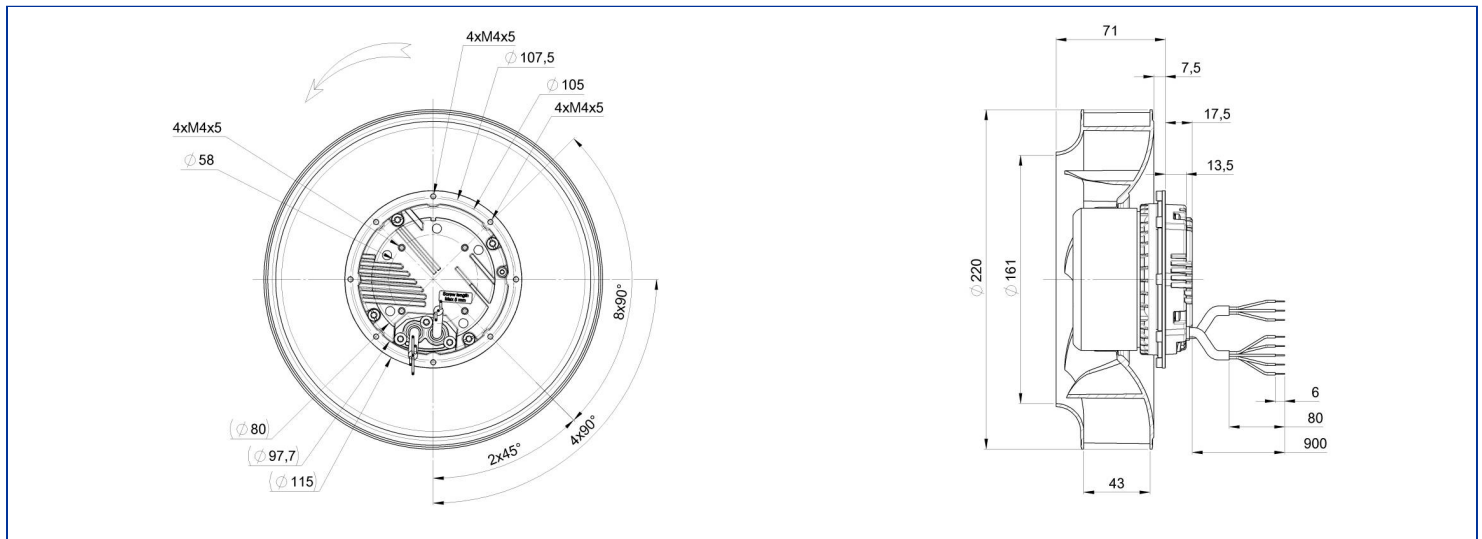


Designation **RREG9 220x43R**

Range Backward curved centrifugal fans with electronic commutation motor

## ELECTRICAL DATA

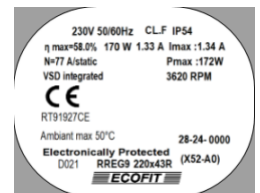
Voltage (V)	230
Frequency (Hz)	50/60
Current (A)	1.33
Maximum current (A)	1.34
Power (W)	170
Maximum power (W)	172
Speed rotation (RPM)	3620
Cos Φ	0.556
Temperature min/max (°C)	-20/+50



## MARKING & STANDARDS

### Conformity

- CE RT91927CE EN 60335-1, IEC 60335-1, EN 60331-2-80, IEC 60335-2-80



The product is manufactured in accordance with EN 60335-1, and RoHS directive 2015/863/CE  
 IP class according to EN 60034-5 to be checked with operation and installation

Issued: 2024-12-23 at 09:33 Documentations and pictures are non contractual, all the data of the technical file and the drawing are subject to change.

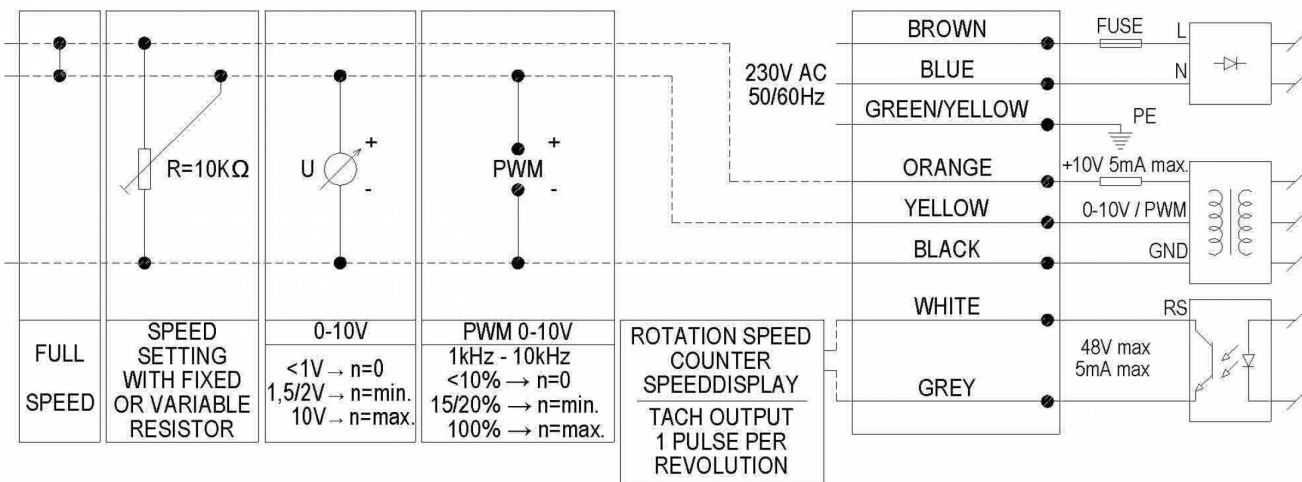
EN - Page 1 / 4

TECHNICAL DATA

Description

- Weight: 1.80 kg
- Class F
- Ingress Protection : IP 54 | Protection against ingress of dust / Protection against ingress of water : splashing
- Motor's protection Electronically protected
- Bearing type: 2 ball bearings 608ZZ
- Balance level: G2.5

Wiring diagram



Finishes

- Rotor electrolytic galvanizing protection
- PP plastic impeller

The product is manufactured in accordance with EN 60335-1, and RoHS directive 2015/863/CE  
IP class according to EN 60034-5 to be checked with operation and installation

Issued: 2024-12-23 at 09:33 Documentations and pictures are non contractual, all the data of the technical file and the drawing are subject to change.

EN - Page 2 / 4



by



ADDITIONAL DATA

Optional accessories

- 16291 | Inlet cone

Documentations

- Operating and recycling manual.  
<https://en.ecofit.com/contact/contact/5-contact-us.html>

Measurement setup

- Ouie 16291-0 Ouie P/Turb. Ø220 E-Wheel

ERP DATA

Data according to ErP directive

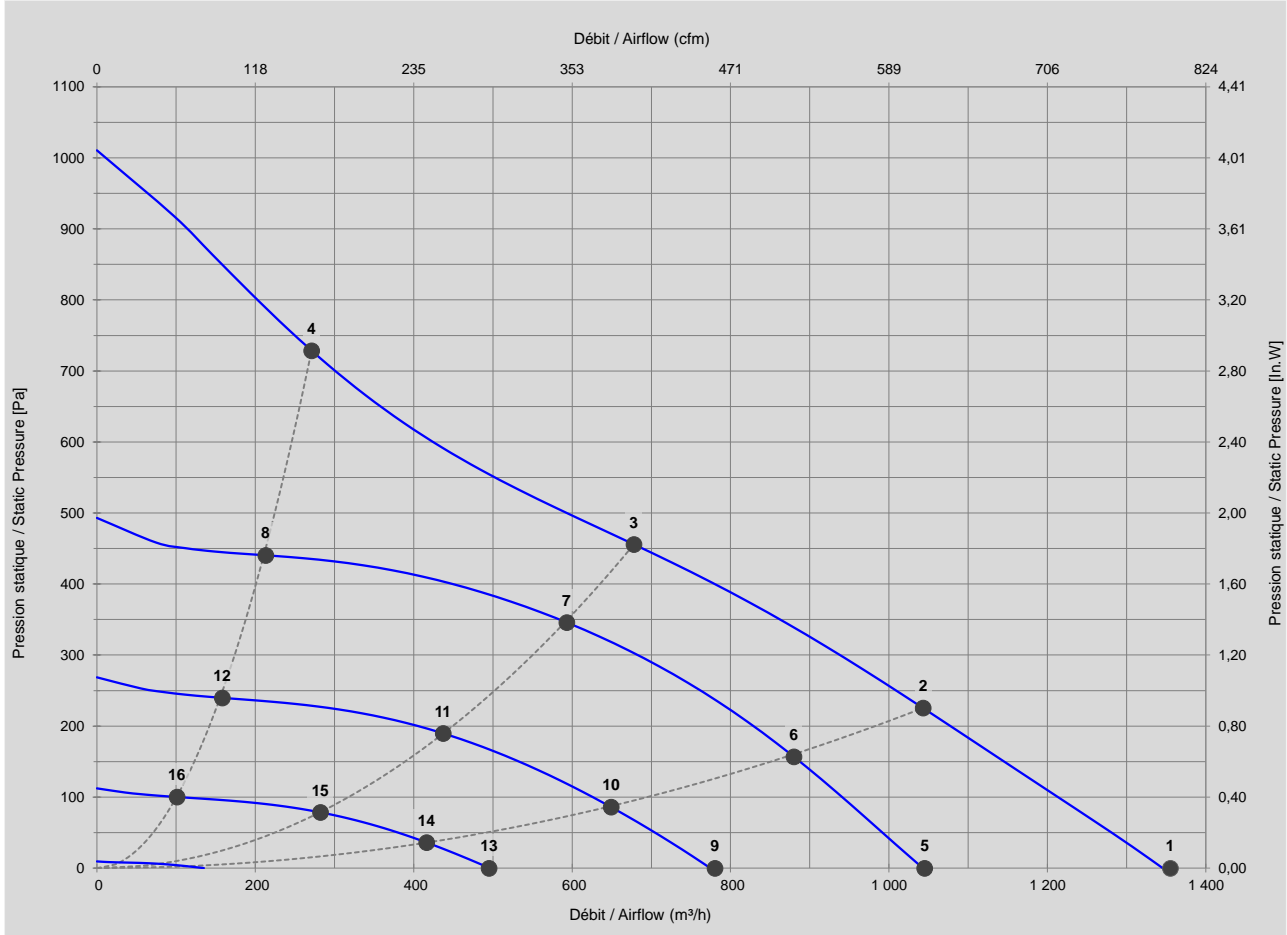
Voltage	230	V
Frequency	50/60	Hz
Power <sup>1</sup>	0.17	kW
Airflow <sup>1</sup>	739	m3/h
Pressure <sup>1</sup>	421	Pa
Speed rotation <sup>1</sup>	3202	RPM
Installation category	A	
Efficiency category	total	
Variable speed driver	Yes	
Special ratio	1.00	

- Designed for standard applications according to the directive EU 2009/125/EC

	Actual	2015
Overall efficiency	58.0	43.4
Efficiency grade	77	62

<sup>1</sup> at optimum energy efficiency point

TECHNICAL DATA



Mesures / Measured Values\*

	Un (V)	Vctl (V)	F (Hz)	P (W)	n (RPM)	Q (m³/h)	P (Pa)	Q (cfm)	P (In.W)	LP <sub>in</sub> (dBA)
1	230	10	50/60	170	3620	1 355	0	798	0,000	77
2	230	10	50/60	169	3316	1 043	225	614	0,903	72
3	230	10	50/60	171	3197	678	456	399	1,826	67
4	230	10	50/60	173	3591	271	729	160	2,919	75
5	230	8	50/60	80	2795	1 045	0	615	0,000	71
6	230	8	50/60	101	2794	880	157	518	0,628	68
7	230	8	50/60	113	2794	593	346	349	1,386	64
8	230	8	50/60	82	2794	213	440	125	1,764	66
9	230	6	50/60	34	2070	780	0	459	0,000	66
10	230	6	50/60	44	2071	649	86	382	0,345	61
11	230	6	50/60	48	2070	437	190	257	0,760	58
12	230	6	50/60	36	2070	158	240	93	0,960	59
13	230	4	50/60	11	1345	495	0	291	0,000	57
14	230	4	50/60	13	1347	416	36	245	0,145	53
15	230	4	50/60	14	1346	282	79	166	0,315	47
16	230	4	50/60	10	1341	101	100	59	0,401	48

\* Air performance measured according to: ISO 5801, installation category C.  
Intake-side sound level: according to ISO 3744, LpA measured at 1 m distance from fan axis. The values given are only applicable under the specified measuring conditions and may differ depending on the installation conditions. In the event of deviation

The product is manufactured in accordance with EN 60335-1, and RoHS directive 2015/863/CE  
IP class according to EN 60034-5 to be checked with operation and installation